

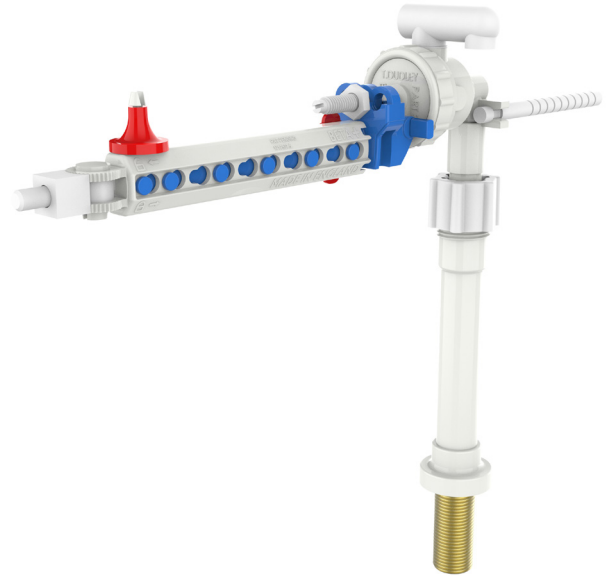


Applications

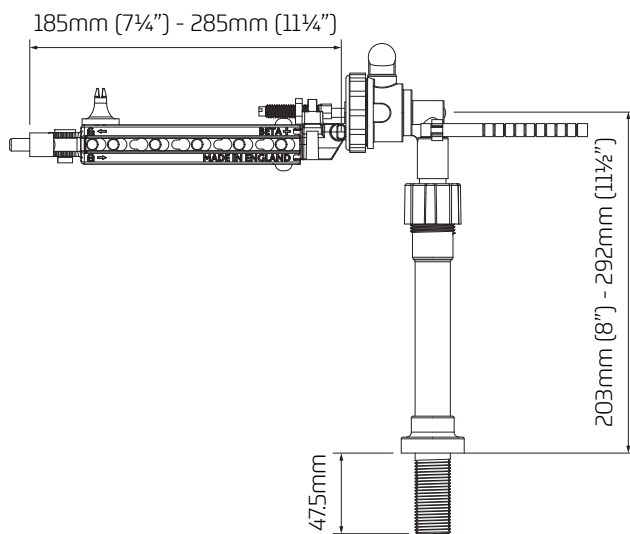
Fits virtually all float operated cisterns and offers the highest level of inlet valve adjustability.

Features

- ~ Quick and easy installation
- ~ Height adjustability from 8" & 11½" in ½" increments
- ~ User friendly arm length adjustability from 185mm (7¼") to 285mm (11¼")
- ~ Lateral arm adjustment positions improve variability in arm and float positioning
- ~ High and low pressure valve configurations to suit mains and tank fed systems
- ~ Professional brass tail connection.



Dimensional Data



Technical Data

Connection	½" BSP brass tail
Valve Type	Diaphragm
Float Type	Ball (Not included, available separately)
Operational Pressure	0.1-14 BAR
Arm Load Limit	Tested to 4.4N
Conformity	BS 1212-3