

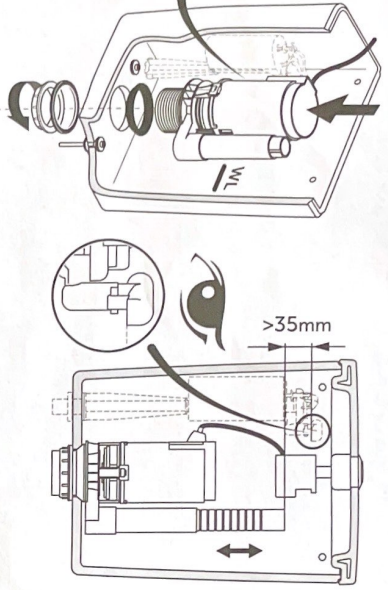
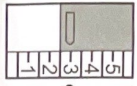
1

For specific settings used in Ideal Standard tanks please refer to

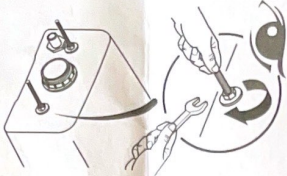
and search for this item code.



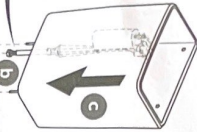
A Full adjuster setting



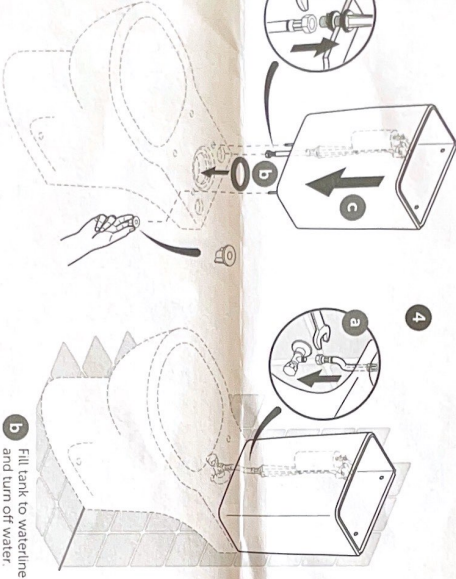
2



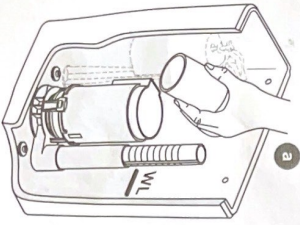
3



4



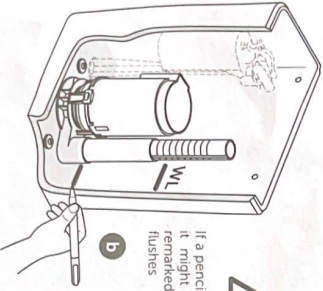
5 FULL FLUSH



Empty the full flushing volume from the tank



e.g. 6L in this example

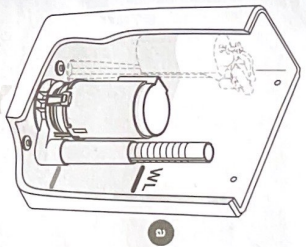


If a pencil is used then it might need to be remarked between flushes

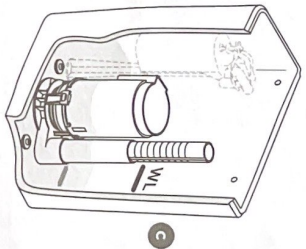


6

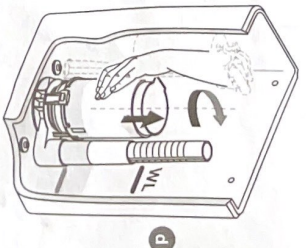
Turn water on fill to water line
Turn water off and full flush



b



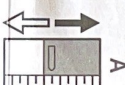
c



d

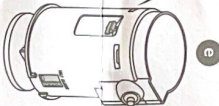
Remove valve

Adjust Full Adjuster setting

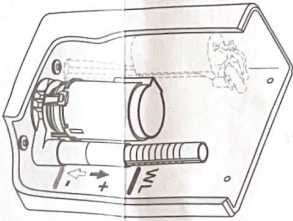


A

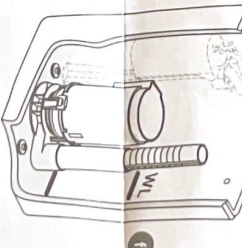
- up to raise residual water
- down to lower residual water



a



b



c

Repeat flush until residual line is as close as possible to target residual water line marked in step 5b

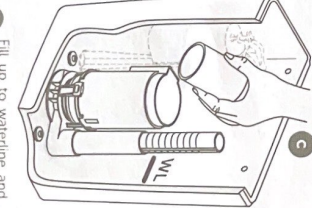
NOTE: No more adjustment is needed for full flush adjuster.

7 HALF FLUSH

Float adjuster setting



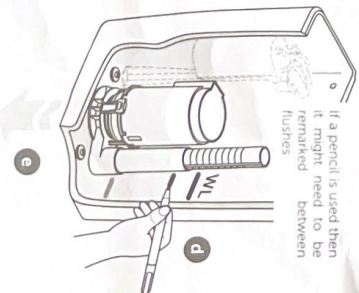
The Part Flush volume should be no more than 2/3rds of the full flush volume.



Fill up to waterline and turn off water supply.



e.g. 4L in this example



If a pencil is used then it might need to be remarked between flushes



Outlet Valve General Installation Instructions



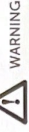
GENERAL INFORMATION

Tools/Materials Required (not supplied)

- Water Pump Pliers
- Spanners
- Pencil or Marker Pen
- Measuring Tape

Before You Start

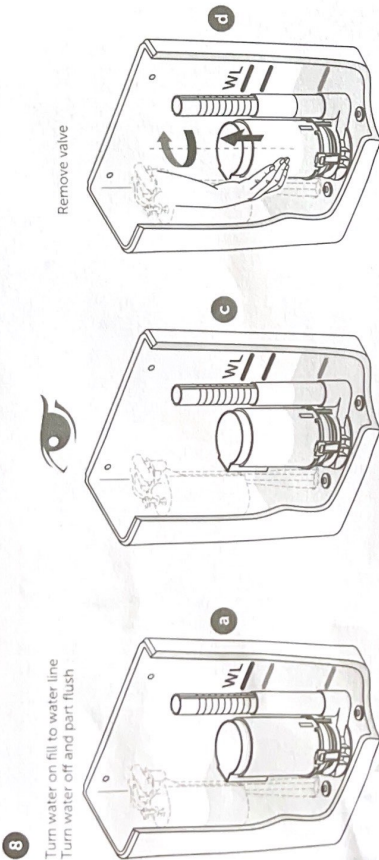
Check the pack and make sure you have all the parts listed. If not, contact the vendor who will be able to help you. When you are ready to start, make sure that you have the right tools to hand, plenty of space and a clean area for assembly. Check through bolt connections and tighten if necessary.



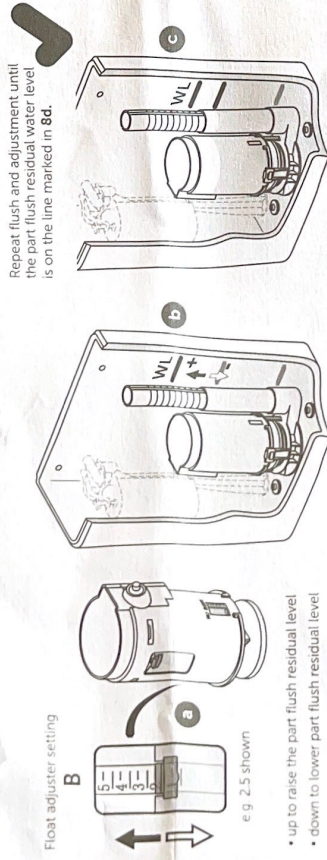
WARNING

Do not use or drop any chlorine or chemical related components into the cistern or WC. Use of such products will:
 (a) Result in damage to tank components, and may cause float and property damage.
 (b) Void warranty.

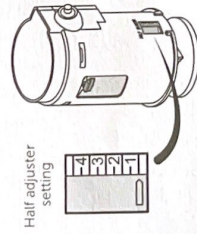
Do not overtighten nuts or tank / bowl may crack



Remove valve



Repeat flush and adjustment until the part flush residual water level is on the line marked in 8d.



Half adjuster setting

- up to raise the part flush residual level
- down to lower part flush residual level

NOTE: Part flush fine tuning window. It is recommended that this is kept fully closed.

All cistern components must be installed in accordance with UK water regulations. If in doubt please consult a suitably qualified professional.

CUSTOMER CARE HELPLINE

0870 1296085

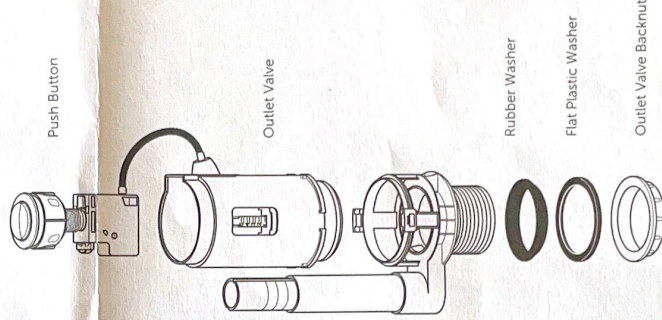
FAX LINE 01482 499611
 email: customercare@idealstandard.com

WW10001767
 ver 1.0/12.21

We pursue a policy of continuing improvement in design and performance of our products. The right is, therefore, reserved to vary specifications without notice.

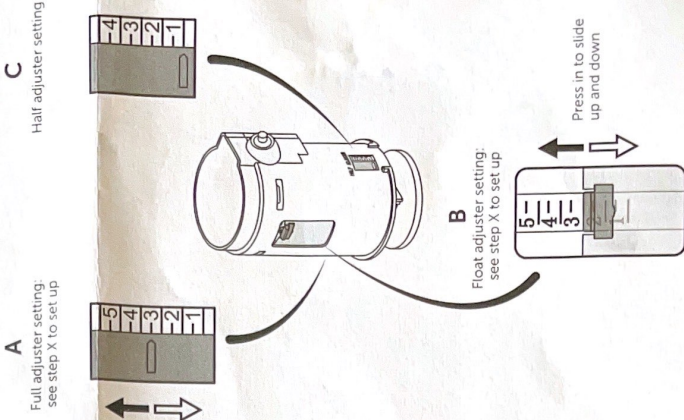
ASAF0108014A-1.0

PARTS SUPPLIED



OUTLET VALVE CONTROLS

Find and familiarise yourself with the three control windows before starting.



A Full adjuster setting: see step X to set up

C Half adjuster setting

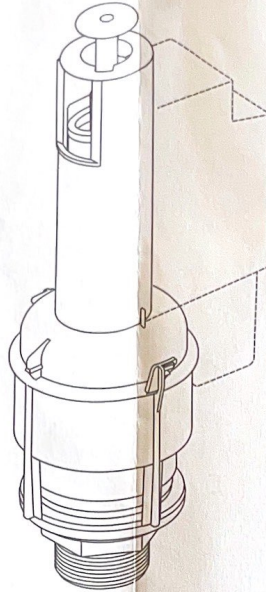
B Float adjuster setting: see step X to set up

Press in to slide up and down

Outlet Valve Settings



Settings used to replace outlet valve following the type as shown below:



Cistern Code (Pre-2020 flush valve as illustrated above)	Full Flush Adjuster Setting	Part Flush Float Adjuster Setting	Half Flush Adjuster Setting	Obsolete flush valve part number
E121201 Concept Space Corner 6/4	0.5 (minimum)	2.5	0.5 (minimum)	SV92467
E302901 Create Edge and Square 6/4				
E308601 Create Drift 6/4				
E528801 Senses cube 6/4				
E528901 Senses Sphere 6/4				
E606001 Briscoe 6/4				
E622401 Jasper Morrison 6/4				
E775801 Santorini Elipse 6/4				
E775901 Santorini Bow 6/4				
E785901 Concept Cube 6/4				
E786001 Concept Arc 6/4				
E807501 New Oracle 6/4				
J453701 Celano 6/4				
S161801 Sandringham 51 6/4				
S309301 Profile 21 6/4				
T357001 Tesi				
T400901 Softmood 6/4				
T422801 Ventuno 6/4				
T427001 Tempo 6/4				
U814001 Chiani Corner 6/4				
U836001 Turano 6/4				
U847101 Anapo 6/4				
U851701 Mavone 6/4				
E293201 New Baronet 6/4	1.5	2.5	0.5 (minimum)	SV89067
E593601 Marano 6l				
E776101 Santorini Cube 4/2 6				
E796901 Concept Cube 4/2 6				
S303701 Highgrove 6l				
S306601 Elmdale				
S307401 Richmond 6l				
S309401 Profile 21 4/2 6				
S360601 Serentiy 6l				
S361301 Cameo 6/4 5l				
S365001 Tiffany 6/4 5l				
S366001 Sandringam 6/4				
S366201 Sandringham Classic				
S372601 Montana 6l				
S387301 Montana 6/4				

Cistern Code (Pre-2020 flush valve as illustrated above)	Full Flush Adjuster Setting	Part Flush Float Adjuster Setting	Half Flush Adjuster Setting	Obsolete flush valve part number
S379601 Lisbon 6l	1,5	2,5	0.5 (minimum)	SV89067
S398901 Camargue 6/4.5				
S425301 Tiffany 6/4.5				
S425401 Principal				
SV87301 Elmdale				
U849301 Chiani 4/2.6	0.5 (minimum)	4	0.5 (minimum)	SV94167
E718401 Space Close Coupled 6/4				
E720401 Spave Corner 6/4				
E876101 Sandringham 21 Magnia 6/4				
E200701 Berkeley 6				
E562501 Reprise	0.5 (minimum)	2,5	0.5 (minimum)	SV92667
E751401 Alto 6/4				
E759301 Alto Spec 6/4				
E759501 Alto Plus 4/2.6				
E759601 Alto Plus				
E776001 Santorini Elipse 4/2.6				
E785501 Concept Arc 4/2.6				
E826401 Studio 6/4.5				
E896601 Sandringham 21 4/6				
J468201 Playa 6/4				
K405101 Tonic II 6/4				
R366201 Washpoint 6/4.5				
S307201 Contemporary 6				
S360801 Tranquility 6/4.5				
S364801 Accolade 6/4.5				
S368601 Westside 6				
S419901 Halo 6/4.5				
T429101 Dea 6/4				
U835901 Turano 4/2.6				
K426001 Tonic				
U848501 Micio 6/4	0.5 (minimum)	-	0.5 (minimum)	SV92067
E592901 Jasper Morrison Single Flush	0.5 (minimum)	-	0.5 (minimum)	SV92067
E754401 Alto 4/2.6	0.5 (minimum)	0,5	0.5 (minimum)	SV92867
E896701 Sandringham 21 4/2.6				
E899901 Sandringham 21 Smooth				
J502801 Playa 4/2.6				
K405001 Tonic II 4/2.6				
S382301 Seville	1,5	-	0.5 (minimum)	SV90867
S306401 Contour 21 Schools	0.5 (minimum)	4	0.5 (minimum)	SV94367
S369401 Contour 21 schools 4/2.6	0.5 (minimum)	4	0.5 (minimum)	SV91067
S369701 Contour 21 4.5/3				
S372501 Universal Low Level 6/4.5				
U028201 Denbigh Low Level 6/4				

CUSTOMER CARE HELPLINE

0870 1296085

FAX LINE 01482 499611
email: customercare@idealstandard.com

WW10001967
ver. 1.0/12.21

We pursue a policy of continuing improvement in design and performance of our products. The right is, therefore, reserved to vary specifications without notice.